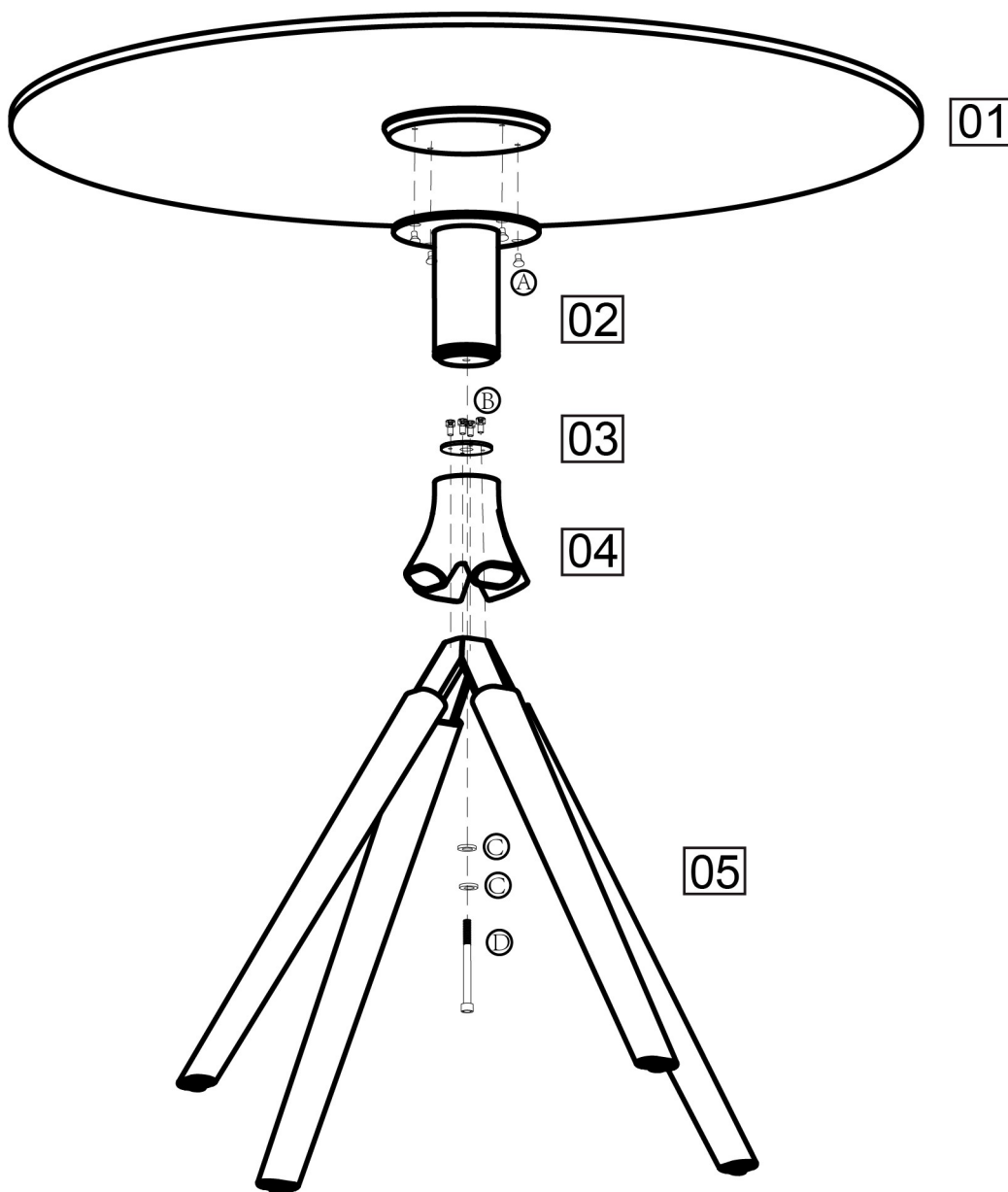



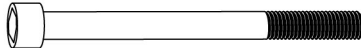


COMPONENT PARTS

FITTINGS



Ⓐ		×4
Ⓑ		×4
Ⓒ		×2
Ⓓ		×1

COMPONENT CHECKLIST

PART	No.	Qty.	
Beshtop	01	1	<input type="checkbox"/>
Connector	02	1	<input type="checkbox"/>
Iron	03	1	<input type="checkbox"/>
Plastic parts	04	1	<input type="checkbox"/>
Foot	05	4	<input type="checkbox"/>

TOOLS REQUIRED

